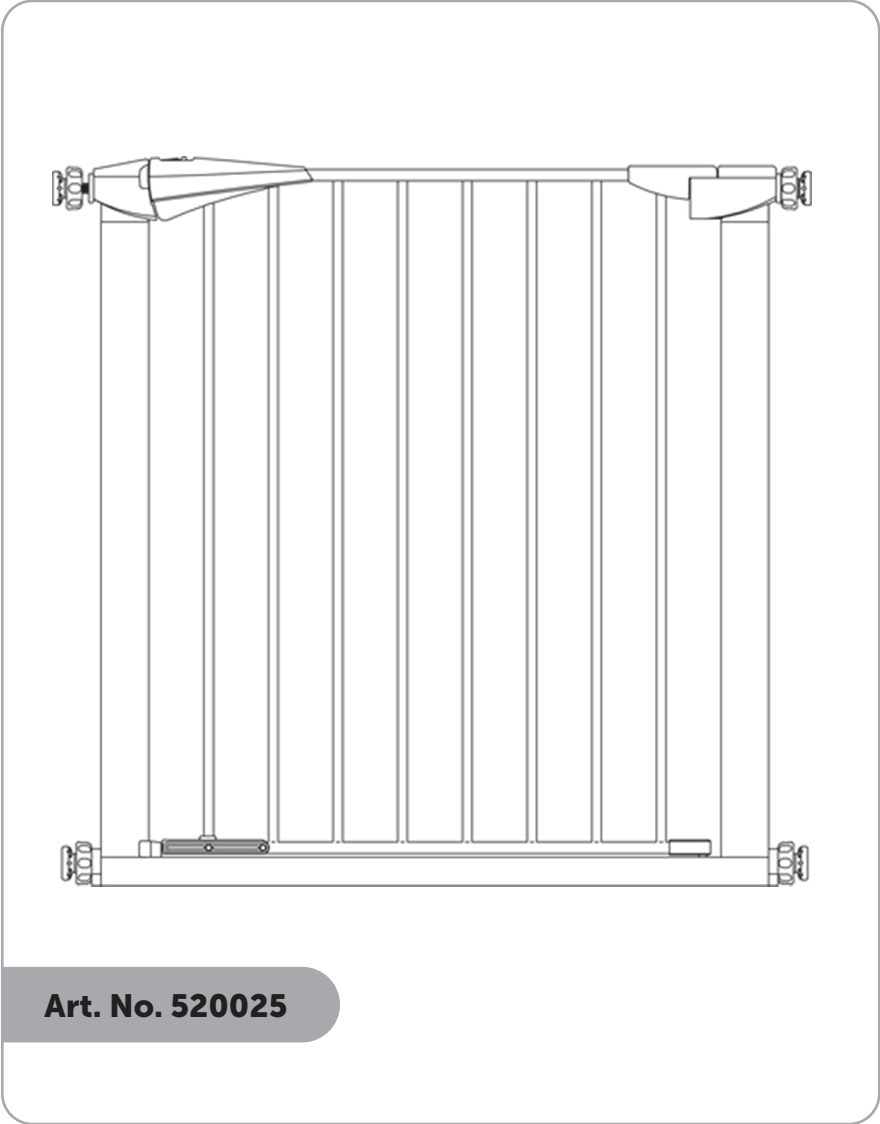




# Pet Gate Salus Instructions



**Art. No. 520025**

# Warning

- Warning-Incorrect installation can be dangerous.
- Warning-Do not use the safety barrier if any components are damaged or missing.
- Warning-The safety barrier must not be fitted across windows.
- Warning-Stop using the barrier if the child is capable of climbing it.
- Warning-Do not leave this gate open at any time. Remove the gate if not in use for long periods.
- Warning-Never use without wall cups.
- Warning-Take care when stepping over the bottom bar to prevent tripping.
- Warning-Tripping hazard do not use this gate at the tops of stairs.
- **Warning-Never use without wall cups**

Safety barrier has been designed for use with children up to 24 months of age.

- Never allow older children to climb on or over the barrier as this could result in an accident.
- Safety barrier should be checked regularly to ensure that it is secure and functioning in accordance with these instructions.
- Any additional or replacement parts should only be obtained from the manufacturer or distributor.
- Never leave child unattended.
- Adult assembly required.
- Install according to manufacturer's instructions.
- Safety barrier conforms to EN 1930:2011.
- Check that the safety barrier is correctly closed.
- This safety barrier is for domestic use only.
- This safety barrier has a manual closing system.
- If the safety barrier is used at the top of the top of the stairs, it should not be positioned below the top level.
- If the safety barrier is used at the bottom of the stairs, it should be positioned at the front of the lowest tread possible.
- Ensure gate is attached between two clean structurally sound surfaces.
- Ensure appropriate fixings are used for drywall, wood, brick, etc.

## Maintenance and Service

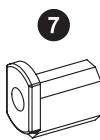
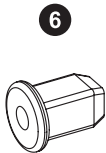
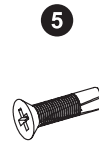
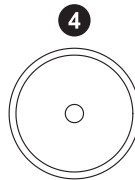
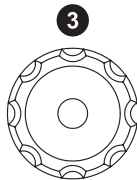
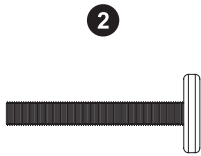
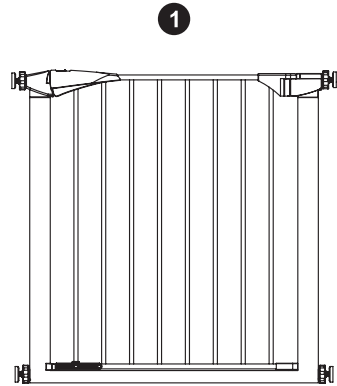
- Checking up the outfit of gate, screw, stem, fixed block and lock regularly
- User must clean the gate appropriately.
- The cleaning of this safety gate must be finished by adults.
- Using dampened soft fabric to clean.
- Wipe it dry in case of contacting with water.

# Components List

- In case of missing components, please do not drop the bag.

- Please read the instruction thoroughly before starting installation.

**Attention:**  
7cm and 14cm extension tube are optional, please notice the item number.



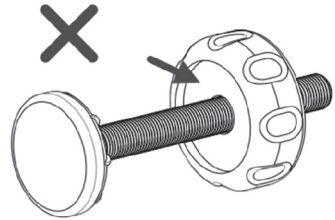
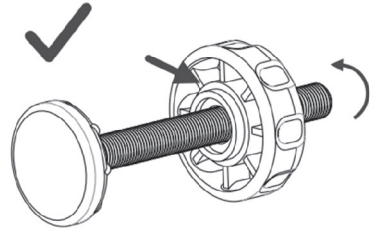
---

<b>1</b>	Safety gate	X1	<b>4</b>	Wall cup	X4	<b>7</b>	Plastic cap B	X2
<b>2</b>	Positioning screw stem	X4	<b>5</b>	Screw	X4	<b>8</b>	Owner's manual	X1
<b>3</b>	Positioning screw	X4	<b>6</b>	Plastic cap A	X2			

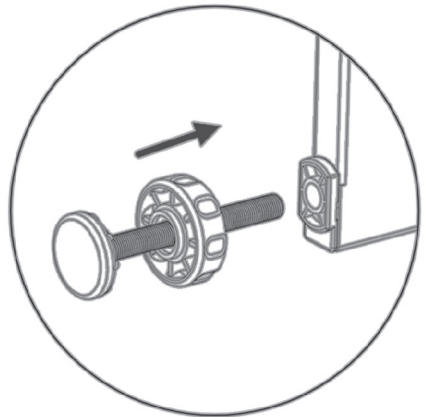
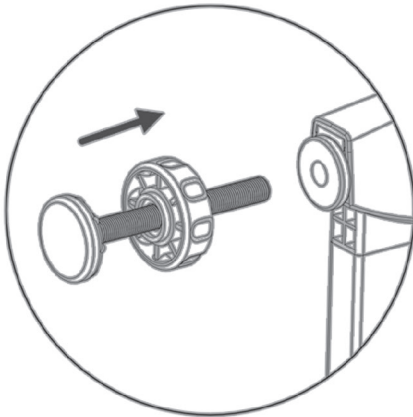
# Installation - Positioning Screw Stem

1, Wrench the screw to the end of positioning screw stem.

**Attention:** check the direction of screw is correct before wrenching it.



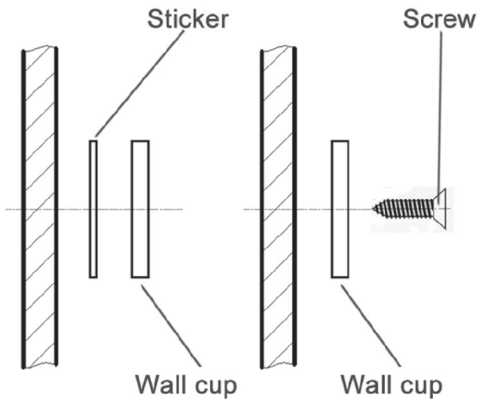
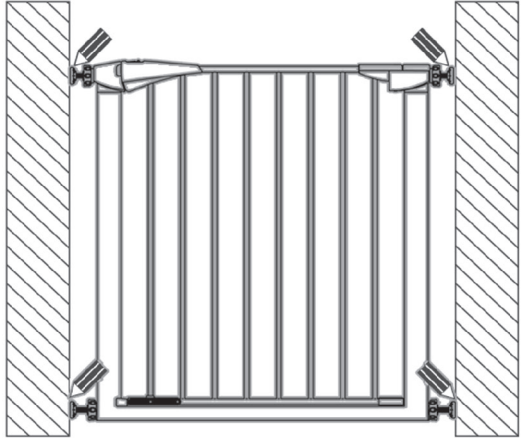
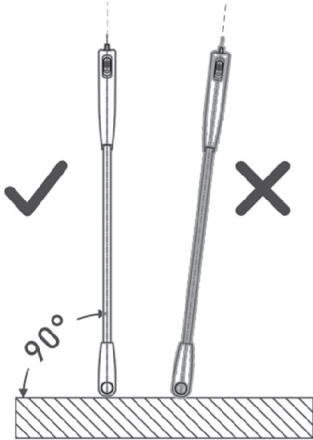
2, Insert the four screw stem into the holes in the main body of safety gate when the screw is at a proper position.



# Installation - Main Body of Safety Gate

1, Set the position.

Put the safety gate in the door frame, make sure the gate is vertical to the ground, mark the position for the four screw stem.

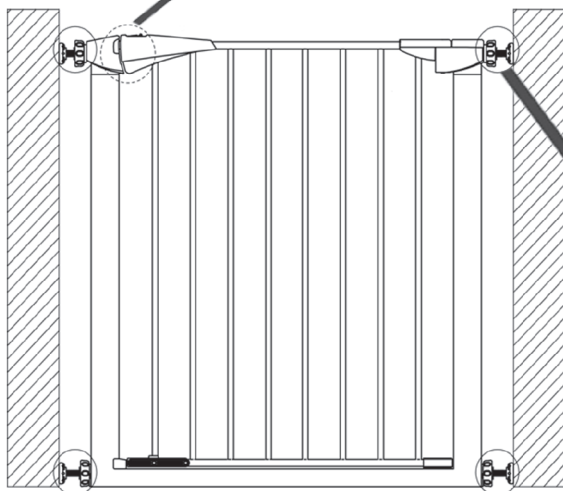
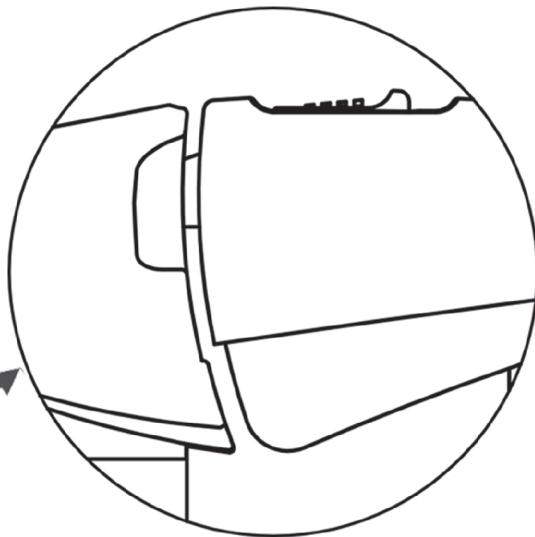


Remove the safety gate after marking the position, use the paste glue or screw the door bar is docked block lock on the marked position.

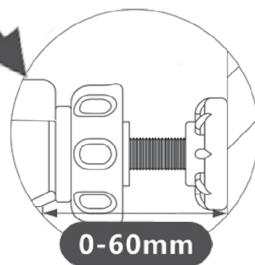
# Installation - Safety Gate

## 3, Installing Safety Gate

Face the screw stem to the sticker , adjust the screw on the two side of screw stem, tightly fix the gate to the door frame, make sure the distance between supportive tube and bracke is equal on the two side.



**Attention: Please do not fix the screw stem too tight, make sure the reed just do not contact the inner button side of lock when the handler is not pressed.**

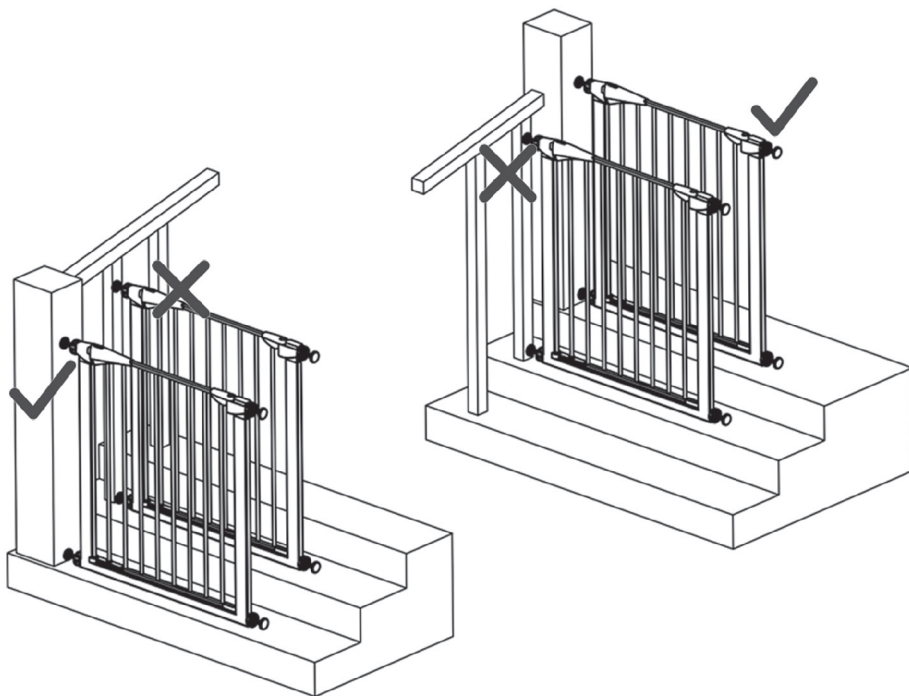


## Installation - Other location

### 4, Installing the gate in other location

when fixing the safety gate at the staircase, please be noticed that:

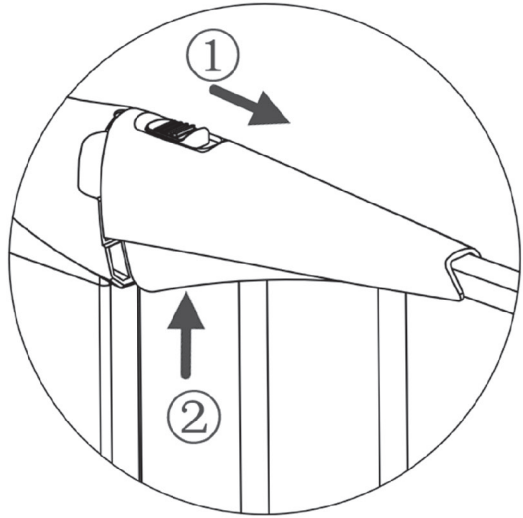
1. The gate must be installed at the same direction of staircase;
2. The gate must be installed at the highest stair, if it is fixed at the top of staircase;
3. The gate must be installed at the lowest stair, if it is fixed at the bottom of staircase.



# Installation - Open/Close of Gate

## 1, Opening gate

First hold the ① button, then press the ② button, you can open the door.

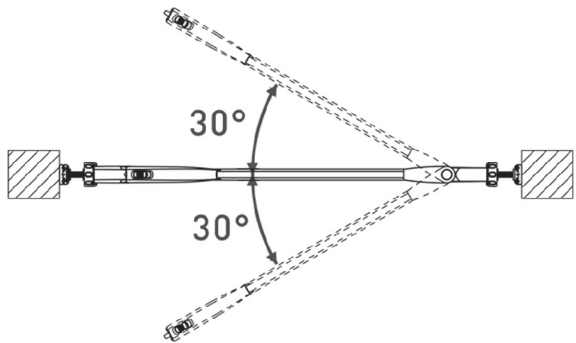


## 2, Closing gate

Once the gate is opened, it can close up automatically and lock up. It can also be closed by push it back to position, do not hit the gate strongly.

**Attention: only when the gate is opened in an angle of more than 30°, the gate can achieve self-closing.**

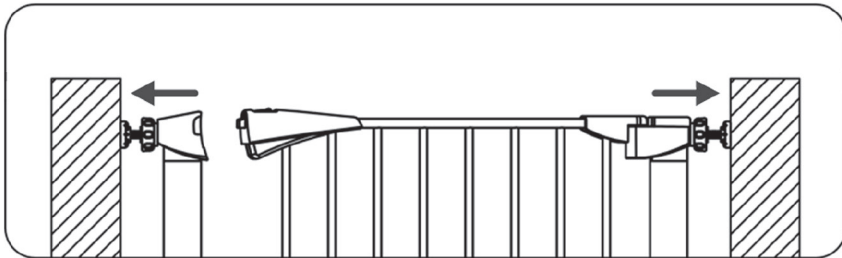
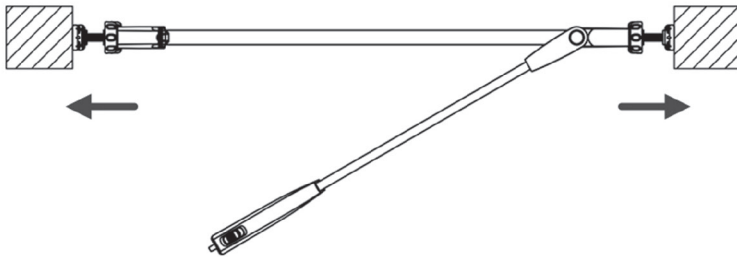
**Make sure the gate is closed when leaving the gate.**





## Installation - Removing

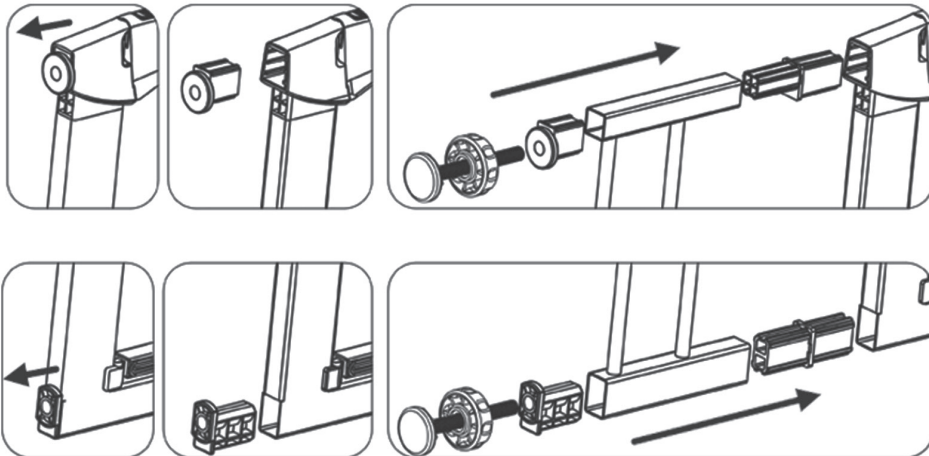
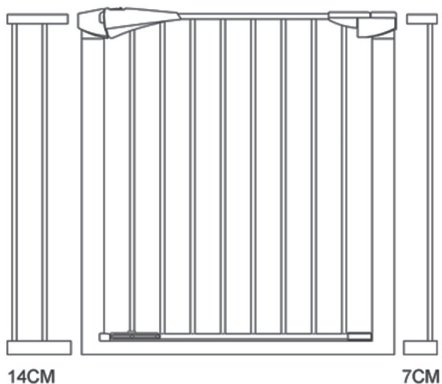
As long as twisting the four screws in a reverse way, loose the four corner of the gate, it can be uninstalled easily.



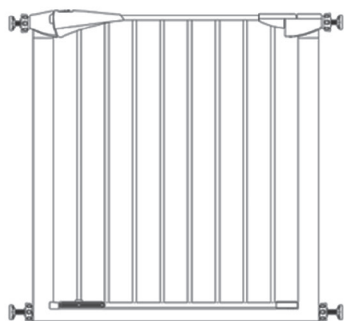
## Installation - Extension tube

In order to fit different gate, this gate is equipped with extension tube.

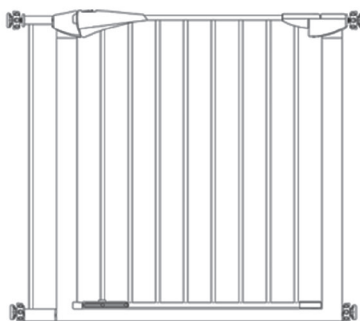
**Attention: According to the situation, you can choose either 7cm extension tube or 14cm extension tube, but one side can only use no more than one extension tube.**



## Installation - Extension tube



79cm-84cm  
No extension



82cm-88cm  
One 7 cm extension tube

**Flamingo**

Pet Products nv  
Hagelberg 14  
2440 Geel - Belgium  
**[www.flamingo.be](http://www.flamingo.be)**

Made in China